



ICE251

Electric Counterbalance Forklift Truck 2.5T

- Compact size
- High strength components
- Lithium-ion technology
- Telematics
- Low TCO

iMOW
www.imowshop.com



Scan and Enter iMOW Website



iMOW

NO.121 Yonghua Street, Shiqiao Road, Xia Cheng Qu , Hangzhou, China 86-571-28035665

86-571-28035656/28878695

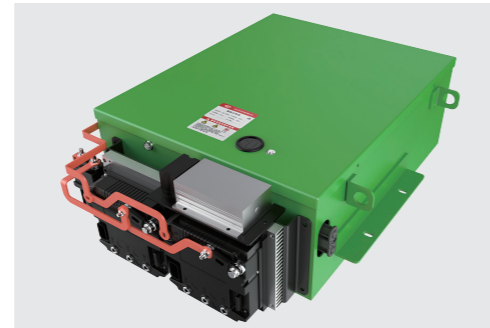
www.imowshop.com

info@imowshop.com

PRODUCT FEATURES

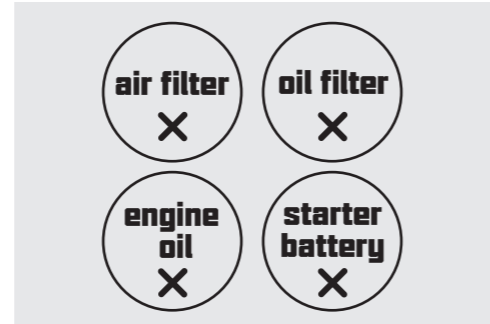
■ Lithium-ion technology

ICE251 adapts LFP Li-ion battery that prevents the battery from self-ignition and ensures safety operation. It supports opportunity charging so it can be charged at preferable time during the day without disrupting working schedules.



■ Low TCO

Comparing to a diesel forklift truck, ICE251 saves 30%-50% of energy cost with li-ion technology. And there is no maintenance fee with no air filter, oil filter, engine oil or starter battery installed on the truck.



■ Compact size

The overall length of ICE251 is 3573 mm that is 5% more compacted in size than a regular IC forklift to be used in narrow aisle.



■ IPX4 rated water-protected design

The ICE251 is IPX4 rated and that protects the trucks from splash of water from different angles. The waterproofed design allows the trucks to be operated outdoors, even in the rain.



■ Telematics

ICE251 offers EP' s latest Telematics. It provides the following features to facilitate your fleet management:

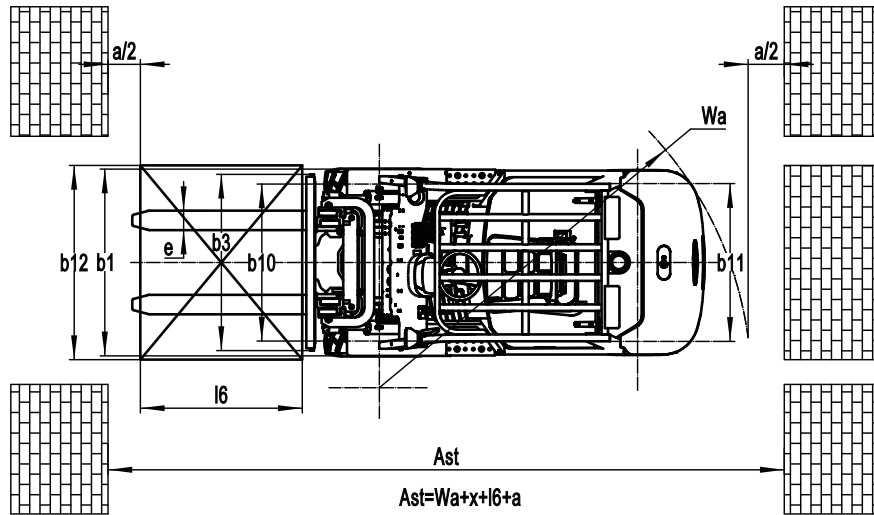
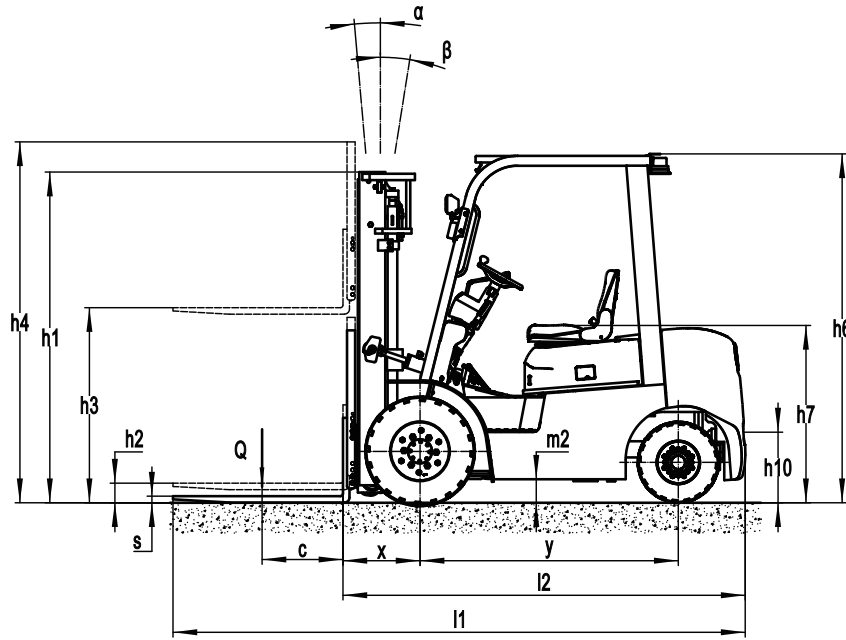
- Truck location in real-time
- Reports of truck usages and diagnosis
- Li-ion battery condition analytics
- Updates on card access registration



PRODUCT PARAMETERS

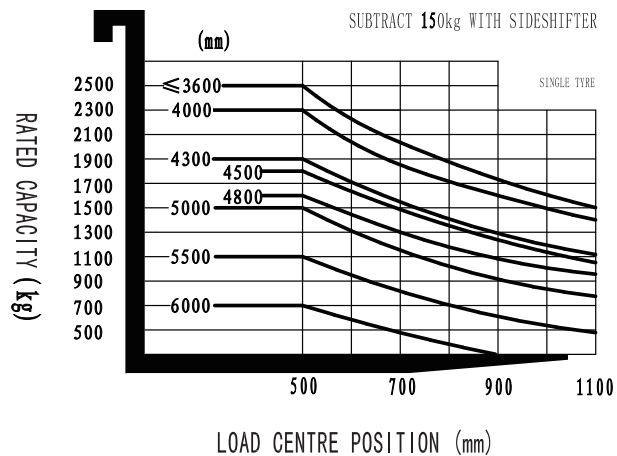
Distinguishing mark					
1.1	Manufacturer			IMOW	
1.2	Model designation			ICE251	
1.3	Drive			Electric	
1.4	Operator type			Seated	
1.5	Load capacity	Q	kg	2500	
1.6	Load center distance	c	mm	500	
1.8	Load distance, centre of drive axle to fork	x	mm	495	
1.9	Wheelbase	y	mm	1595	
Service weight	2.1	Service weight		kg	3770
	2.2	Axle loading, laden front/rear		kg	5490/780
	2.3	Axle loading, unladen front/rear		kg	1450/2320
Tyres/chassis	3.1	Tyre type			Pneumatic
	3.2	Tyre size, front			7.00-12-12PR
	3.3	Tyre size, rear			6.00-9-10PR
	3.5	Wheels, number front/rear (x=drive wheels)		mm	2x/2
	3.6	Tread width, front	b10	mm	970
	3.7	Tread width, rear	b11	mm	975
Dimensions	4.1	Tilt of mast/fork carriage forward/backward	α/β	°	6/10
	4.2	Retracted mast height	h1	mm	2060
	4.3	Free lift	h2	mm	140
	4.4	Lift height	h3	mm	3000
	4.5	Height, mast extended	h4	mm	4050
	4.7	Height of overhead guard (cabin)	h6	mm	2160
	4.8	Seat height/standing height	h7	mm	1095
	4.12	Tow coupling height	h10	mm	435
	4.19	Overall length	l1	mm	3573
	4.20	Length to face of forks	l2	mm	2503
	4.21	Overall width	b1/b2	mm	1154
	4.22	Fork dimensions	s/e/l	mm	40×125×1070
	4.23	A,B Fork carriage class/type A, B			2A
	4.24	Fork carriage width	b3	mm	1090
	4.31	Ground clearance, laden, below mast	m1	mm	100
4.32	Ground clearance, center of wheelbase	m2	mm	150	
4.34.1	Aisle width for pallets 1000×1200 crossways	Ast	mm	3985	
4.34.2	Aisle width for pallets 800×1200 crossways	Ast	mm	4195	
4.35	Turning radius	Wa	mm	2290	
Performance data	5.1	Travel speed, laden/unladen		km/h	11/12
	5.2	Lifting speed, laden/unladen		m/s	0.28/0.37
	5.3	Lowering speed, laden/unladen		m/s	0.45/0.5
	5.5	Drawbar pull, laden/unladen		N	—
	5.6	Max. drawbar pull, laden/unladen		N	—
	5.8	Max. gradeability, laden/unladen		%	15/15
	5.10	Service brake			Hydraulic
5.11	Parking brake			Mechanical	
Electric-engine	6.1	Drive motor rating S2 60 min		kW	10
	6.2	Lift motor rating at S3 15%		kW	12
	6.4	Battery voltage/nominal capacity		V/Ah	80/205
	6.5	Battery weight		kg	—
	8.1	Type of drive control			AC
Addition data	10.5	Steering design			Hydraulic
	10.7	Sound pressure level at the driver's ear		dB(A)	< 74

LINE GRAPH



RATED CAPACITY

RATED CAPACITIES



MAST OPTION

Mast types	Lift height (h3)	Height, Mast			Height, Free lift(h2)	
		Height, mast lowered(h1)	Height, mast extended(h4)		No shelving	With shelving
			No shelving	With shelving		
		mm	mm	mm	mm	mm
2-Standard Mast	3000	2075	3565	4025	140	140
	3300	2225	3865	4325	140	140
	3600	2375	4165	4625	140	140
	4000	2625	4565	5025	140	140
2-Free Mast	3000	2035	3565	4025	1470	1000
	3300	2185	3865	4325	1620	1150
3-Free Mast	4300	2035	4865	5325	1470	1000
	4500	2115	5065	5525	1550	1080
	4800	2220	5365	5825	1655	1185
	5000	2305	5565	6025	1740	1270
	5500	2555	6065	6525	1990	1520
	6000	2805	6565	7025	2240	1770

OPTION

No.	Optional items	ICE251
1.1	Fork dimension	<ul style="list-style-type: none"> ○122*40*920●122*40*1070○122*40*1150○122*40*1220 ○122*40*1370○122*40*1500○122*40*1600○122*40*1700 ○122*40*1820○122*40*1900○122*40*2000○122*40*2200
1.4	Fork carriage width	●1040mm○Yes and can be customized
1.5	Fork carriage height	●1025mm○Yes and can be customized
2.5	Front wheel material	●solid○Pneumatic○Non-marking tires
2.6	Rear wheel material	●solid○Pneumatic○Non-marking tires
2.7	Battery capacity	●80V205AH○80V280AH○80V410AH
2.8	Charger	<ul style="list-style-type: none"> ●80V35A○80V65A○80V130A ○80V200A (Only for 80V410AH battery) ○80V35A (Internal single-phase) ○80V60A (Internal)
2.9	Battery indicator	●With time
2.10	Seat type	●premium○suspension○suspension+ seatbelt logic switch
2.11	Attachments	●No○Built-in sideshifter○External sideshifter○Fork positioner
2.13	Traction pin	●Yes
3.5	Front lamp	●LED
3.6	Rear lamp	●No○LED
3.7	Warning lamp	●Yes
3.8	Steering lamp	●Yes
3.9	Blue spot	●No○2 front○1 rear○2 front+1 rear
3.10	Area warning lamp	●No○1 left, 1 right (Red)
3.11	Rearview mirror	●1 in the middle○ Add 1 rearview mirror on both sides
3.17	OPS system	●Yes
3.23	Telematics	●No○Basic semi-enclosed cabin○Upgrade semi-enclosed cabin○Full cabin
4.3	Cabin	●No○Yes and not customized
4.9	Heater	●No○Yes and not customized

Note: ● standard ○ option — NA