

DS3

Electric Pedestrian Stacker 1200KG



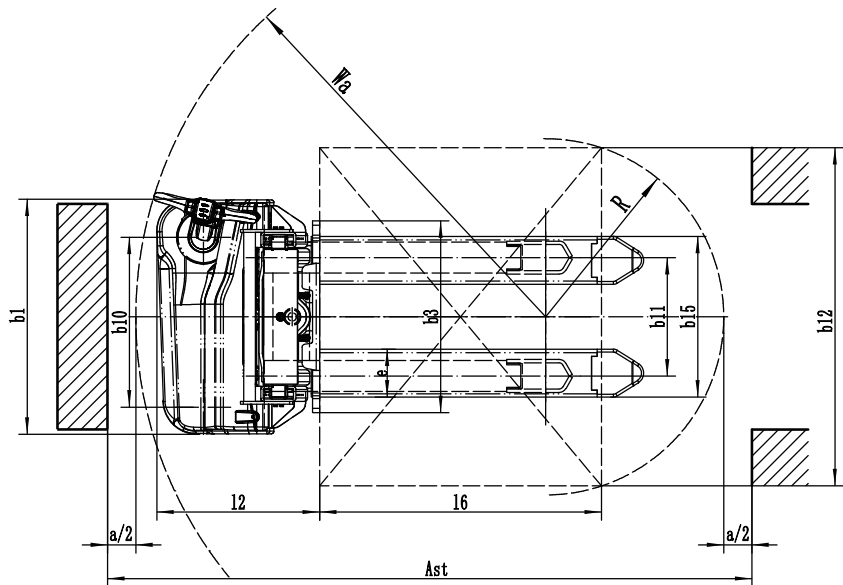
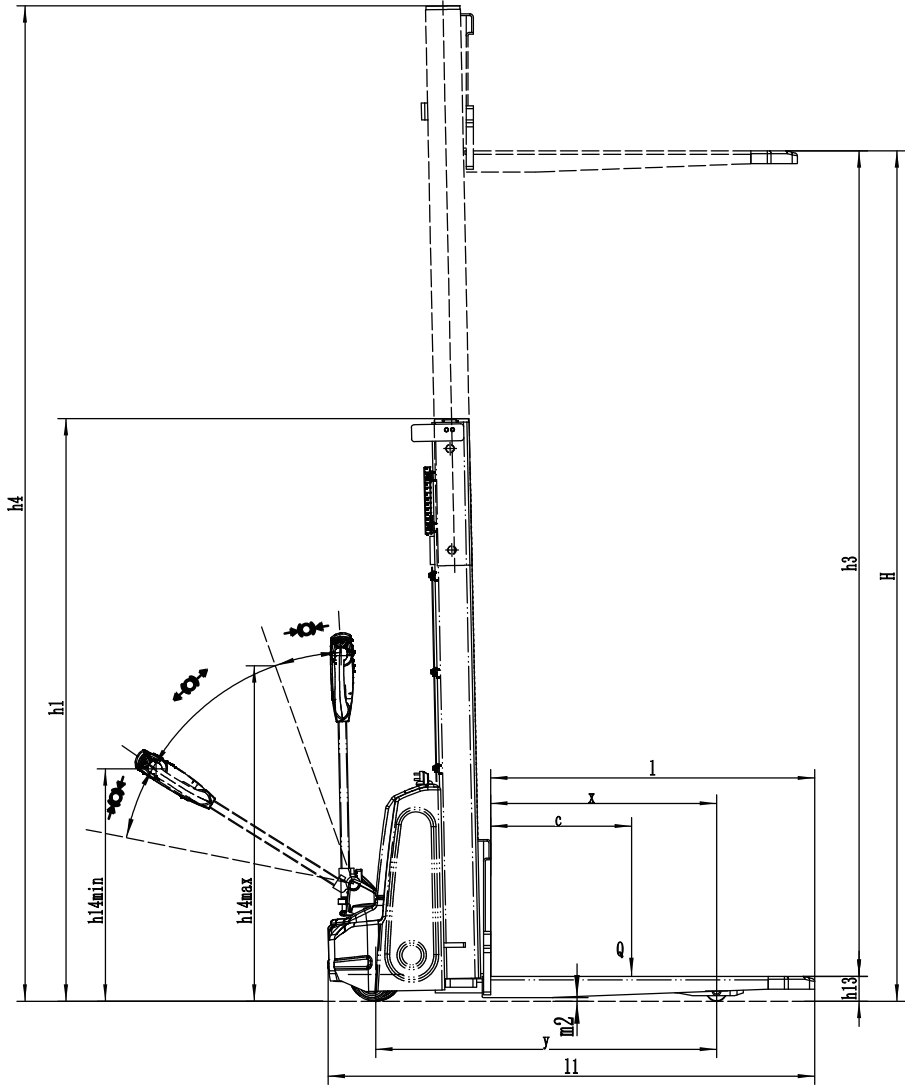
Manufacturer			iMOW
Model designation			DS3
Drive			Electric
Load capacity	Q	kg	1200
Load center distance	c	mm	600
Service weight		kg	495
Length to face of forks	l2	mm	577
Overall width	b1/b2	mm	834
Fork dimensions	s×e×l	mm	75/170/1150
Turning radius	Wa	mm	1454
Max. gradeability, laden/unladen		%	3/10
Battery voltage/nominal capacity		V/Ah	24/80

Electric Pedestrian Stacker 1200KG

DS3

Distinguishing mark	1.1	Manufacturer			iMOW
	1.2	Model designation			DS3
	1.3	Drive			Electric
	1.4	Operator type			Pedestrian
	1.5	Load capacity	Q	kg	1200
	1.6	Load center distance	c	mm	600
	1.8	Load distance, centre of drive axle to fork	x	mm	802
	1.9	Wheelbase	y	mm	1210
	Service weight	2.1	Service weight		kg
2.2		Axle loading, laden front/rear		kg	730/1265
2.3		Axle loading, unladen front/rear		kg	355/140
Tyres/chassis	3.1	Tyre type			Polyurethane
	3.2	Tyre size, front			Ø190×55
	3.3	Tyre size, rear			Ø74×88
	3.4	Additional wheels (castor wheels)		mm	Ø125×50
	3.5	Wheels, number front/rear (x=drive wheels)		mm	1x, 1/2
	3.6.1	Tread width, front	b ₁₀	mm	602
	3.7.1	Tread width, rear	b ₁₁	mm	420
	Dimensions	4.0	Max. Lift Height	H	mm
4.2		Retracted mast height	h ₁	mm	2067
4.4		Lift height	h ₃	mm	2930
4.5		Height, mast extended	h ₄	mm	3532
4.9		Height of tiller handle in drive position min./max.	h ₁₄	mm	760/1140
4.15		Lowered height	h ₁₃	mm	90
4.19		Overall length	l ₁	mm	1727
4.20		Length to face of forks	l ₂	mm	577
4.21		Overall width	b ₁ /b ₂	mm	834
4.22		Fork dimensions	s×e×l	mm	75/170/1150
4.24		Fork carriage width	b ₃	mm	680
4.25		Fork spread	b ₅	mm	570
4.32		Ground clearance, center of wheelbase	m ₂	mm	13
4.34.1		Aisle width for pallets 1000×1200 crossways	Ast	mm	2286
4.34.2		Aisle width for pallets 800×1200 lengthways	Ast	mm	2218
4.35	Turning radius	Wa	mm	1454	
Performance data	5.1	Travel speed, laden/unladen		km/h	4.0/4.5
	5.2	Lifting speed, laden/unladen		m/s	0.085/0.13
	5.3	Lowering speed, laden/unladen		m/s	0.105/0.085
	5.8	Max. gradeability, laden/unladen		%	3/10
	5.10	Service brake			Electromagnetic
Electric-engine	6.1	Drive motor rating S2 60 min		kW	0.7
	6.2	Lift motor rating at S3 15%		kW	2.2
	6.4	Battery voltage/nominal capacity		V/Ah	24/80
	6.5	Battery weight		kg	39
Addition data	8.1	Type of drive control			DC
	10.5	Steering design			Mechanical
	10.7	Sound pressure level at the driver's ear		dB(A)	74
	15.1	Charger output current		A	10

If there are improvements of technical parameters or configurations, no further notice will be given.
The diagram shown may contain non-standard configurations.



Mast Option

C Channel Beam

Mast types	Lift height h3+h13	Height, mast lowered h1	Free lift h2	Height, mast extended h4
	mm	mm	mm	mm
2-Standard Mast	2518	1817	—	3032
	2718	1917	—	3232
	3018	2067	—	3532
	3318	2217	—	3832
	3618	2367	—	4132
	3918	2517	—	4432

CH Channel Beam

Mast types	Lift height h3+h13	Height, mast lowered h1	Free lift h2	Height, mast extended h4
	mm	mm	mm	mm
2-Standard Mast	2518	1731	—	2946
	2718	1831	—	3146
	3018	1981	—	3446
	3318	2131	—	3746
	3618	2281	—	4046
	3918	2431	—	4346
	4118	2531	—	4546

Option

Optionele items	DS3
Fork dimension	<ul style="list-style-type: none"> ●570*1150○685*1150 ○570*1000○685*1000 ○570*1220○685*1220
Fork lowered height	●90
Fork carriage width	●680mm○795mm
Load wheel type	●Single
Load wheel material	●PU
Drive wheel material	●PU
Battery capacity	<ul style="list-style-type: none"> ●80Ah (Lead-acid) ○40Ah (Li-ion) (coming soon)
Charger	<ul style="list-style-type: none"> ○24V-10A Internal (Lead-acid) ○24V-15A External (Li-ion)
Battery indicator	○Without hourtime
Handle head type	○ET big handle head
Castor wheels	●Yes and not customized
Vertical handler working	●Yes and not customized
Speed reduction with elevated mast	●Yes and not customized
Note:	●Standard ○ Optional - Inconformity